

TYPE: PENM/0x4

Product 4-disc design

Group Separation, batching and displacement

PENM/0x4 pigs size 4" – 24" are designed for product separation, batching and displacement operations.

PENM/0x4 pigs are manufactured with a polyurethane flexible casted body head inclusive, polyurethane spacers and a hoisting facility in front.

PENM/0x4 pigs are fitted with 4 polyurethane sealing discs which are easily replaceable and create a perfect seal.

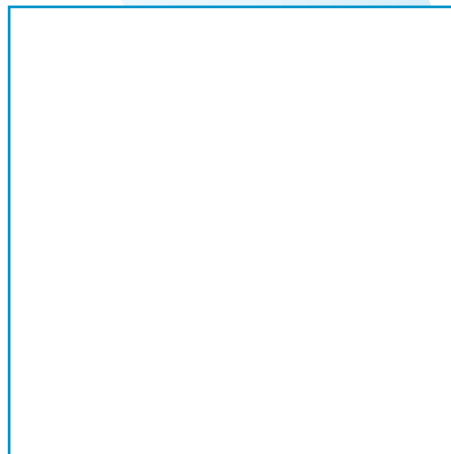
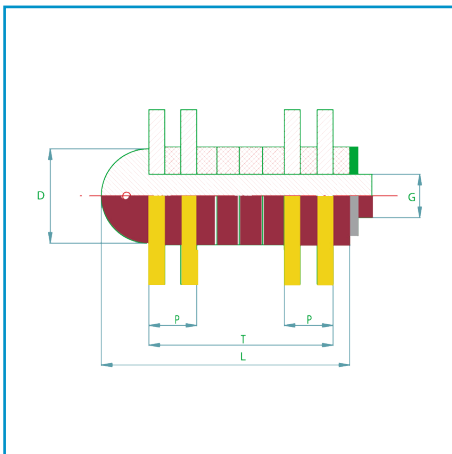
General function and application

Removal of debris, liquid evacuation, product separation, batching and displacement.

PENM/0x4 pigs are designed for passing 1.5 D radius bends and will traverse full-size branch openings.

PENM/0x4 options available

- Gauging plate aluminium



Size Nom. (inches)	L (mm)	T (mm)	P (mm)	D (mm)	G (mm)
4	154	129	27	50	30
6	227	192	36	75	45
8	330	280	50	100	50
10	418	353	64	130	50
12	487	410	80	155	75
14	567	485	80	165	75
16	665	565	90	200	100
18	737	637	96	200	100
20	797	697	96	200	100
24	895	775	102	245	150

TYPE: PE/NM/0xC

Product 6-disc design
Group Separation, batching and displacement

PE/NM/0xC pigs size 4" – 24" are designed for product separation, batching and displacement operations.

PE/NM/0xC pigs are manufactured with a polyurethane flexible casted body head inclusive, polyurethane spacers and a hoisting facility in front.

PE/NM/0xC pigs are fitted with 6 polyurethane sealing discs which are easily replaceable and create a perfect seal.

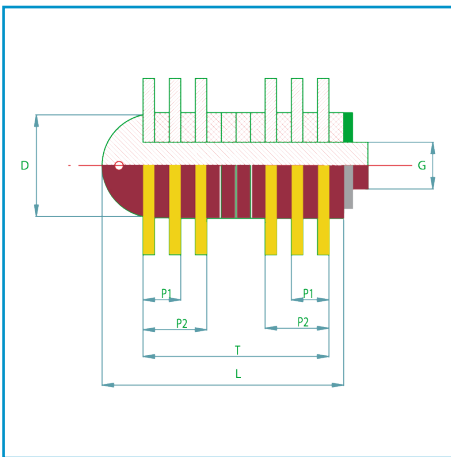
General function and application

Removal of debris, liquid evacuation, product separation, batching and displacement.

PE/NM/0xC pigs are designed for passing 1.5 D radius bends and will traverse full-size branch openings.

PE/NM/0xC options available

- Gauging plate aluminium



Size Nom. (inches)	L (mm)	T (mm)	P2 (mm)	P1 (mm)	D (mm)	G (mm)
4	181	156	48	27	50	30
6	243	208	64	36	75	45
8	350	300	90	50	100	50
10	417	352	116	64	130	50
12	517	440	145	80	155	75
14	572	490	145	80	165	75
16	635	535	165	90	200	100
18	713	613	174	96	200	100
20	773	673	174	96	200	100
24	931	811	183	102	245	150

TYPE: PENM/2x4

Product 6-disc design

Group Separation, batching and displacement

PENM/2x4 pigs size 4" – 24" are designed for product separation, batching and displacement operations.

PENM/2x4 pigs are manufactured with a polyurethane flexible casted body head inclusive, polyurethane spacers and a hoisting facility in front.

PENM/2x4 pigs are fitted with 2 polyurethane guiding discs and 4 polyurethane sealing discs which are easily replaceable and create a superior seal.

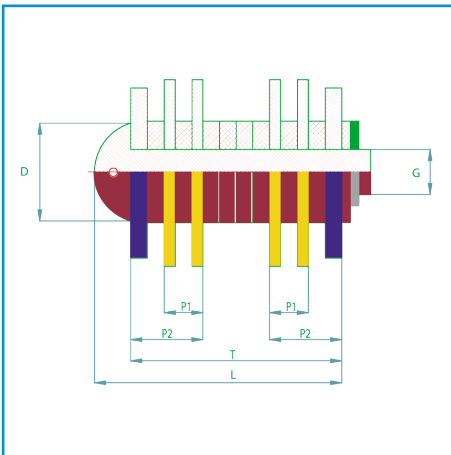
General function and application

Removal of debris, liquid evacuation, product separation, batching and displacement.

PENM/2x4 pigs are designed for passing 1.5 D radius bends and will traverse full-size branch openings.

PENM/2x4 options available

- Gauging plate aluminium



Size Nom. (inches)	L (mm)	T (mm)	P2 (mm)	P1 (mm)	D (mm)	G (mm)
4	174	149	52	27	50	30
6	237	202	71	36	75	45
8	336	286	98	50	100	50
10	395	330	125	64	130	50
12	479	402	151	80	155	75
14	534	452	151	80	165	75
16	630	530	175	90	200	100
18	702	602	181	96	200	100
20	772	662	181	96	200	100
24	924	804	192	102	245	150

TYPE: PENM/0x4C

Product 4-disc design
Group Cleaning

PENM/0x4C pigs size 4" – 24" are designed for removal of deposits from the inner pipe wall and / or construction debris.

PENM/0x4C pigs are manufactured with a polyurethane flexible casted body head inclusive, polyurethane spacers and a hoisting facility in front.

PENM/0x4C pigs are fitted with 4 polyurethane sealing discs which are easily replaceable and create a superior seal.

PENM/0x4C pigs are equipped with 2 circular steel wire crimped brushes which are as the discs easily replaceable.

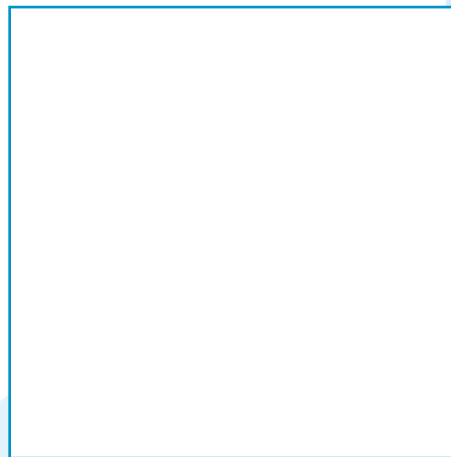
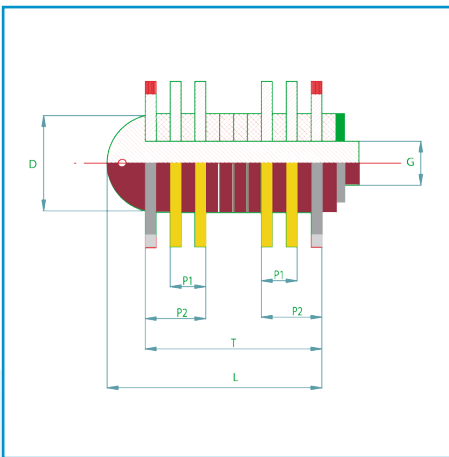
General function and application

Removal of deposits from the inner pipe wall and / or construction debris.

PENM/0x4C pigs are designed for passing 1.5 D radius bends and will traverse full-size branch openings.

PENM/0x4C options available

- Gauging plate aluminium
- Brushes stainless steel
- Brushes nylon



Size Nom. (inches)	L (mm)	T (mm)	P2 (mm)	P1 (mm)	D (mm)	G (mm)
4	179	154	62	27	50	30
6	257	222	91	36	75	45
8	370	280	110	50	100	50
10	413	348	134	64	130	50
12	507	430	165	80	155	75
14	572	490	165	80	165	75
16	670	570	165	90	200	100
18	707	607	171	96	200	100
20	797	697	186	96	200	100
24	949	829	192	102	245	150

TYPE: PENM/2x4C

Product 6-disc design
Group Cleaning

PENM/2x4C pigs size 4" – 24" are designed for removal of deposits from the inner pipe wall and / or construction debris.

PENM/2x4C pigs are manufactured with a polyurethane flexible casted body head inclusive, polyurethane spacers and a hoisting facility in front.

PENM/2x4C pigs are equipped with 2 polyurethane guiding discs and 4 polyurethane sealing discs which are easily replaceable and create a superior seal.

PENM/2x4C pigs are equipped with 2 circular steel wire crimped brushes which are as the discs easily replaceable.

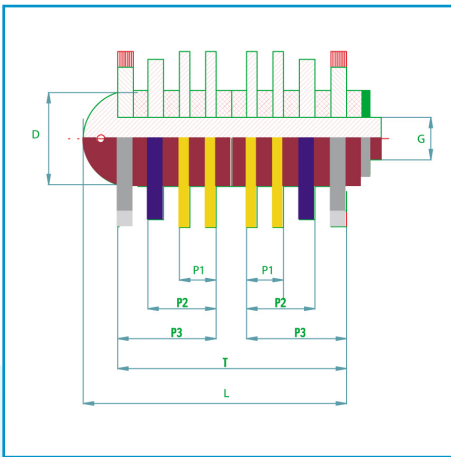
General function and application

Removal of deposits from the inner pipe wall and / or construction debris.

PENM/2x4C pigs are designed for passing 3 D radius bends and will traverse full-size branch openings.

PENM/2x4C options available

- Gauging plate aluminium
- Brushes stainless steel
- Brushes nylon



Size Nom. (inches)	L (mm)	T (mm)	P3 (mm)	P2 (mm)	P1 (mm)	D (mm)	G (mm)
4	214	189	87	52	27	50	30
6	289	254	116	71	36	75	45
8	396	346	158	98	50	100	50
10	480	415	195	125	64	130	50
12	574	497	236	151	80	155	75
14	629	547	236	151	80	165	75
16	685	585	250	175	96	200	100
18	732	632	256	181	96	200	100
20	822	722	271	181	96	200	100
24	924	804	282	192	102	245	150

TYPE: PENM/2x4CS

Product 6-disc design
Group Cleaning

PENM/2x4CS pigs size 4" – 24" are designed for removal of hard deposits from the inner pipe wall and/or removal of paraffin.

PENM/2x4CS pigs are manufactured with a polyurethane flexible casted body head inclusive, polyurethane spacers and a hoisting facility in front.

PENM/2x4CS pigs are fitted with 2 polyurethane guiding discs and 4 polyurethane sealing discs which creates a superior seal.

PENM/2x4CS pigs are equipped with 1 polyurethane studded disc which is as the guiding and sealing discs easily replaceable.

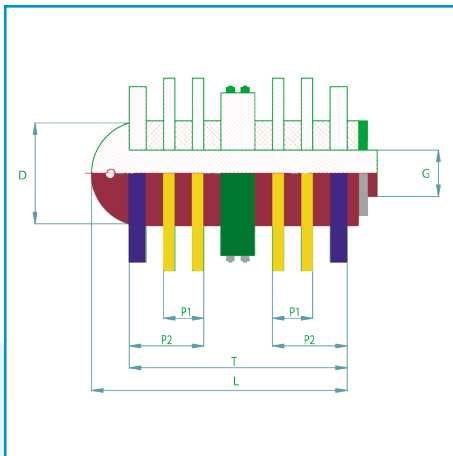
General function and application

Removal of hard deposits from the inner pipe wall and / or removal of paraffin.

PENM/2x4CS pigs are designed for passing 3D radius bends and will traverse full-size branch openings.

PENM/2x4CS options available

- Studded disc
- Gauging plate aluminium
- Brushes carbon steel
- Brushes stainless steel
- Brushes nylon



Size Nom. (inches)	L (mm)	T (mm)	P2 (mm)	P1 (mm)	D (mm)	G (mm)
4	189	164	52	27	50	30
6	247	212	71	36	75	45
8	336	286	98	50	100	50
10	425	360	125	64	130	50
12	509	432	151	80	155	75
14	564	482	151	80	165	75
16	675	575	175	96	200	100
18	757	657	181	96	200	100
20	807	707	181	96	200	100
24	919	799	192	102	245	150